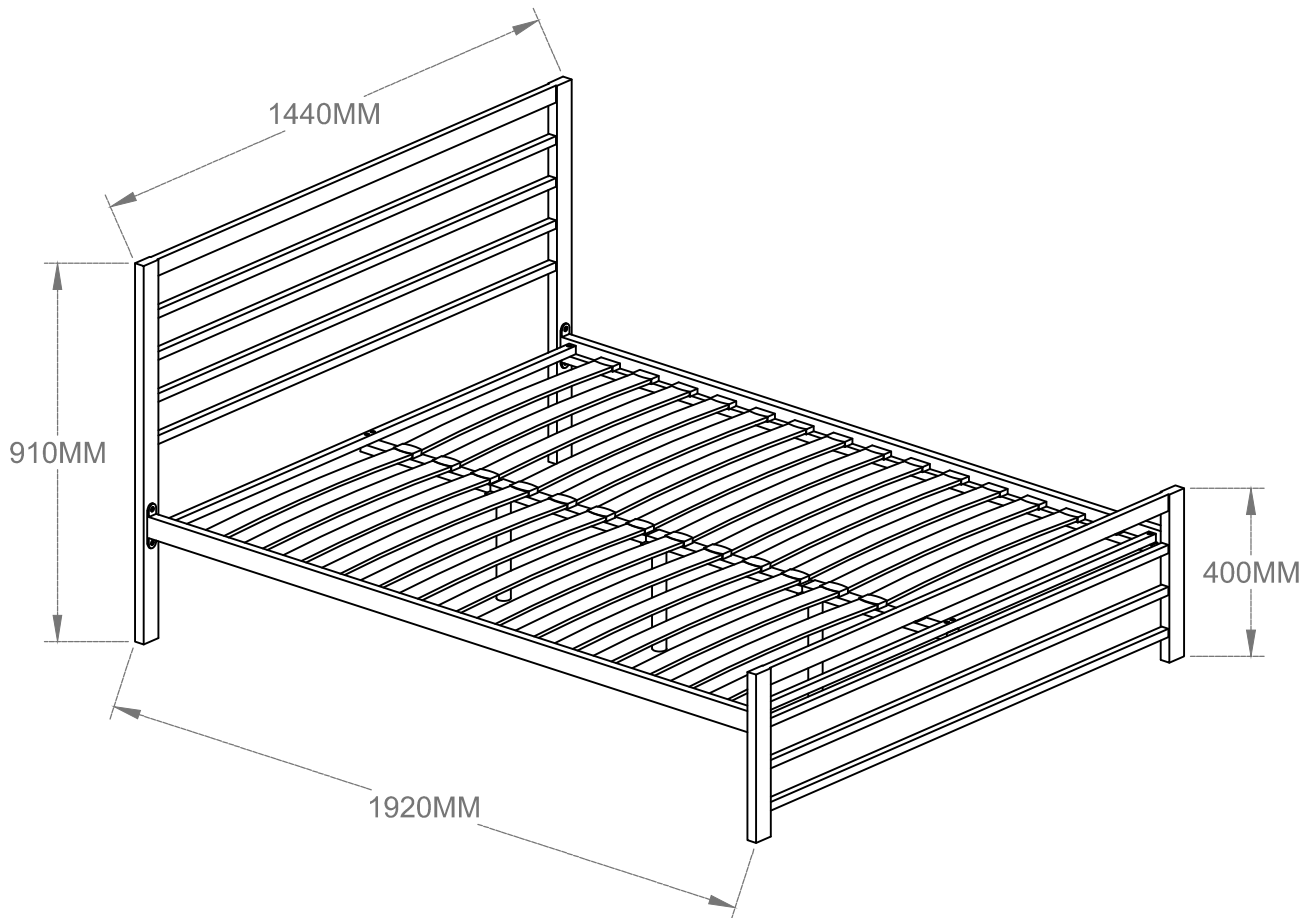


# ASSEMBLY INSTRUCTION

## STEWART DOUBLE BED

ITEM CODE: 84896

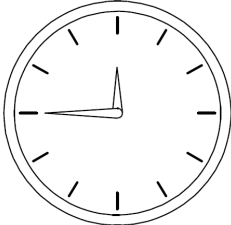
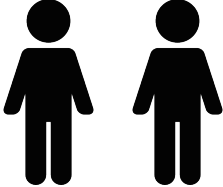












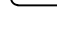
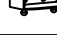

Imported by JWA Furniture Pty Ltd, Qld, Brisbane Australia.  
For any assistance with assembly or for missing parts please refer to your receipt

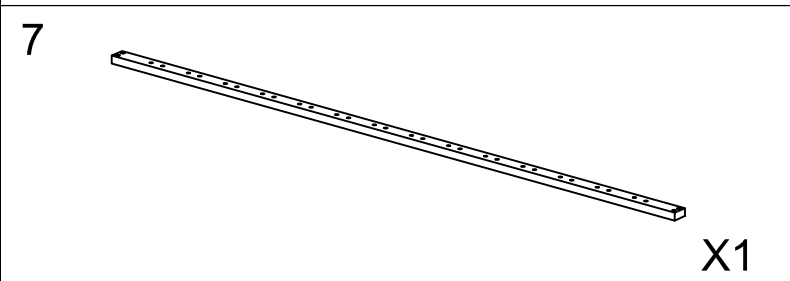
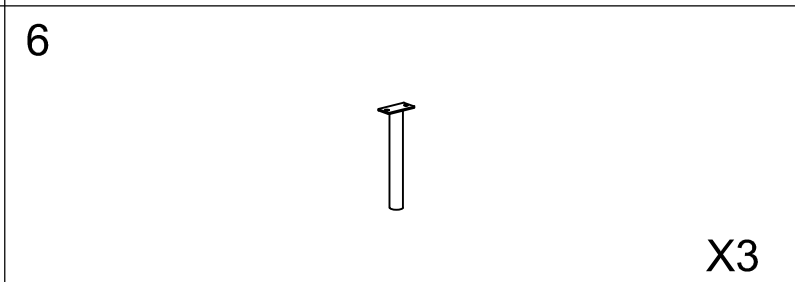
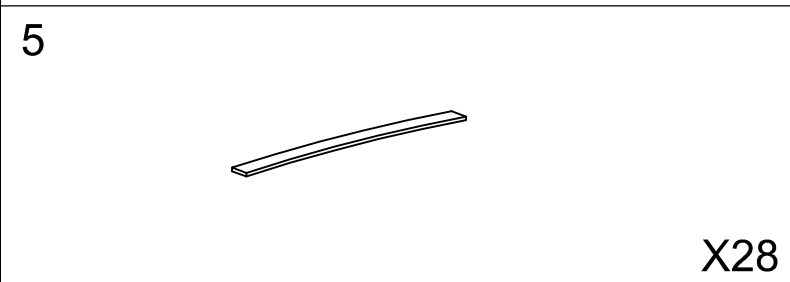
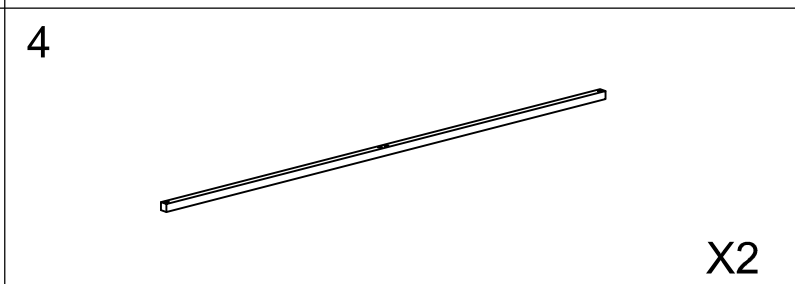
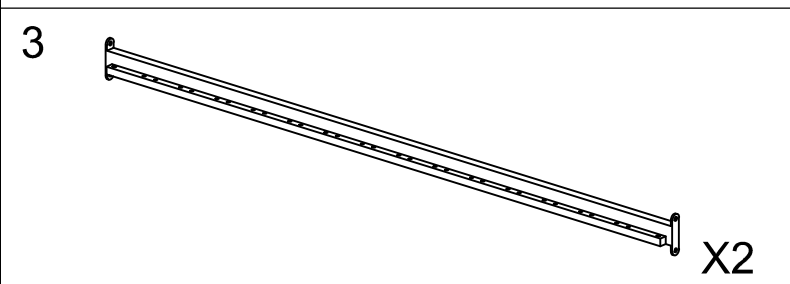
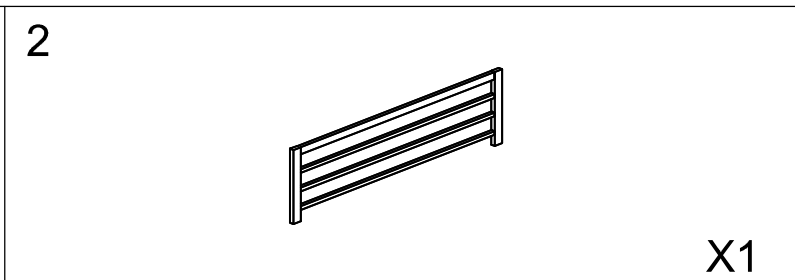
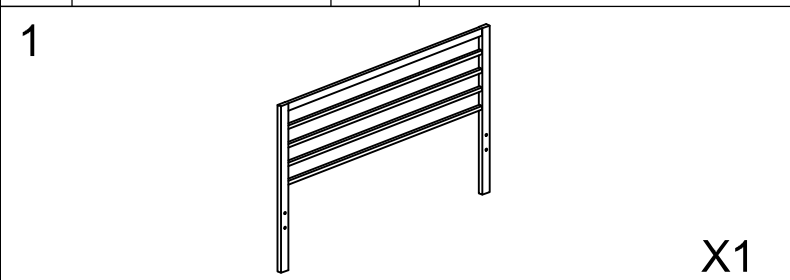
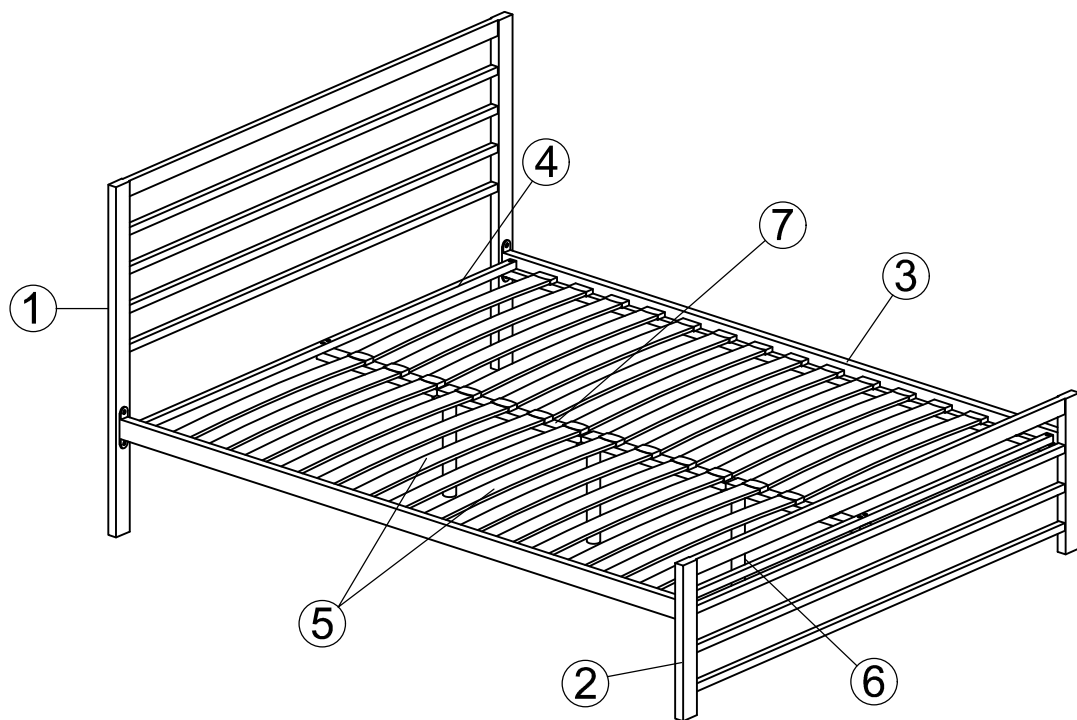
# PRE-ASSEMBLY PREPARATION

## Before you start:

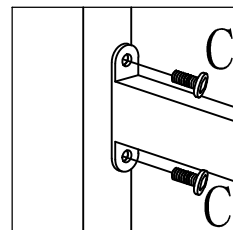
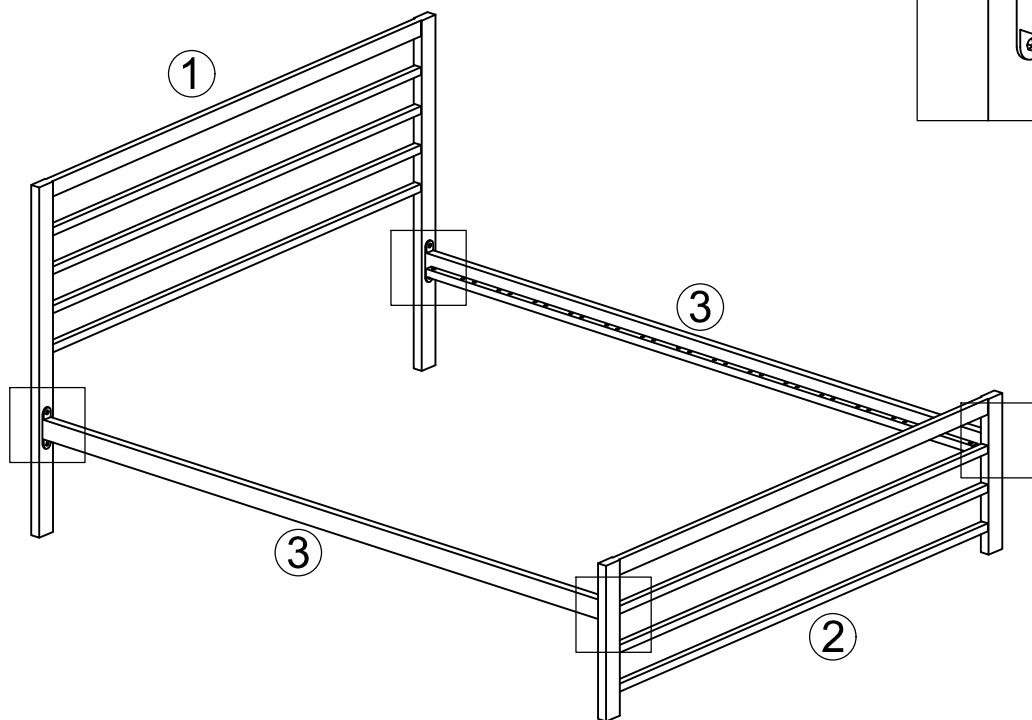
1. Choose a clean, level, spacious assembly area. Avoid hard surfaces that may damage the product
2. Take care when lifting. Product should be assembled as near as possible to the point of use
3. Ensure that you have all required contents for complete assembly
4. Always read the assembly instructions carefully before beginning assembly.
5. Keep all hardware parts and packaging out of reach of small children.
6. Do not over tighten the screws and bolts as this may damage the threads


		
Allow 45 min	For 2 person	Additional tools required

A		M6X20	x6
B		M6X35	x8
C		M8X15	x8
D		M6	x8
E			x14
F		M6	x6
G			x3
M		M6	x2
N		M8	x1
O			x1
P			x28
Q			x14

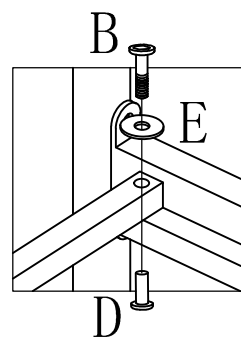
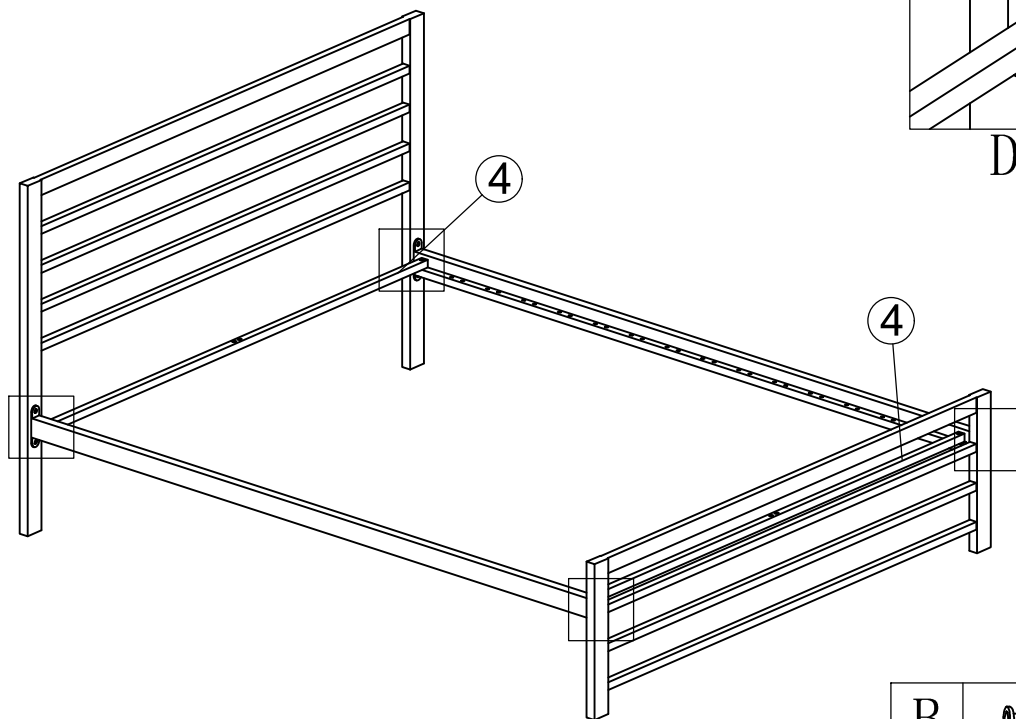





1



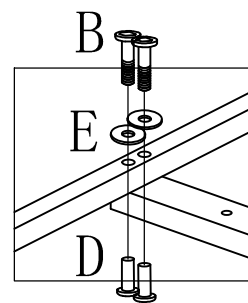
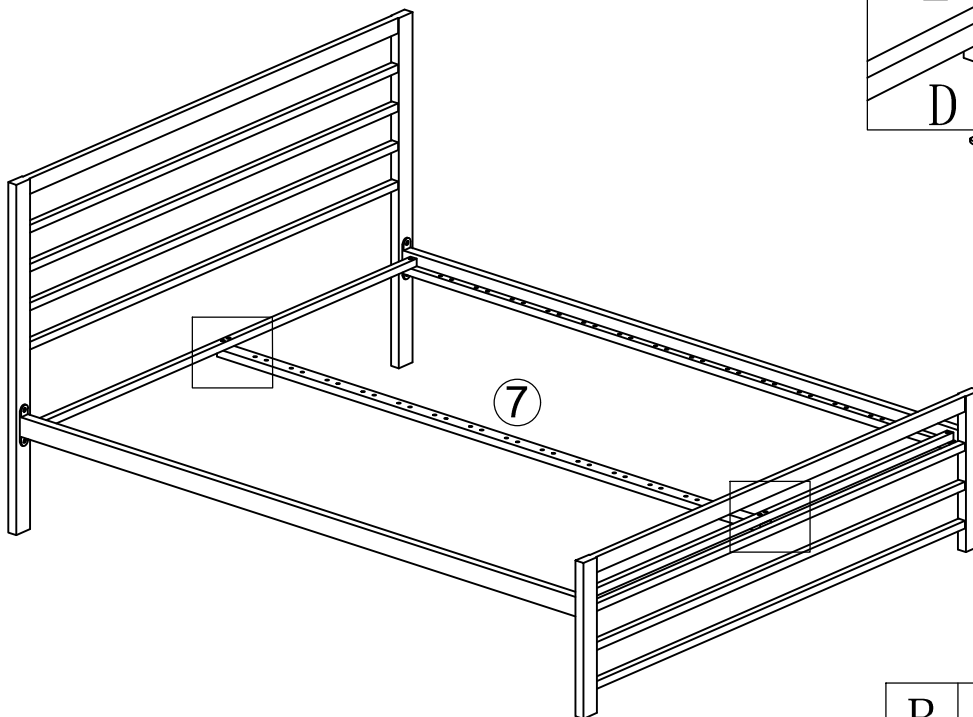
C		M8X15	x8
---	---	-------	----




2



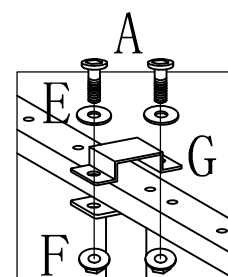
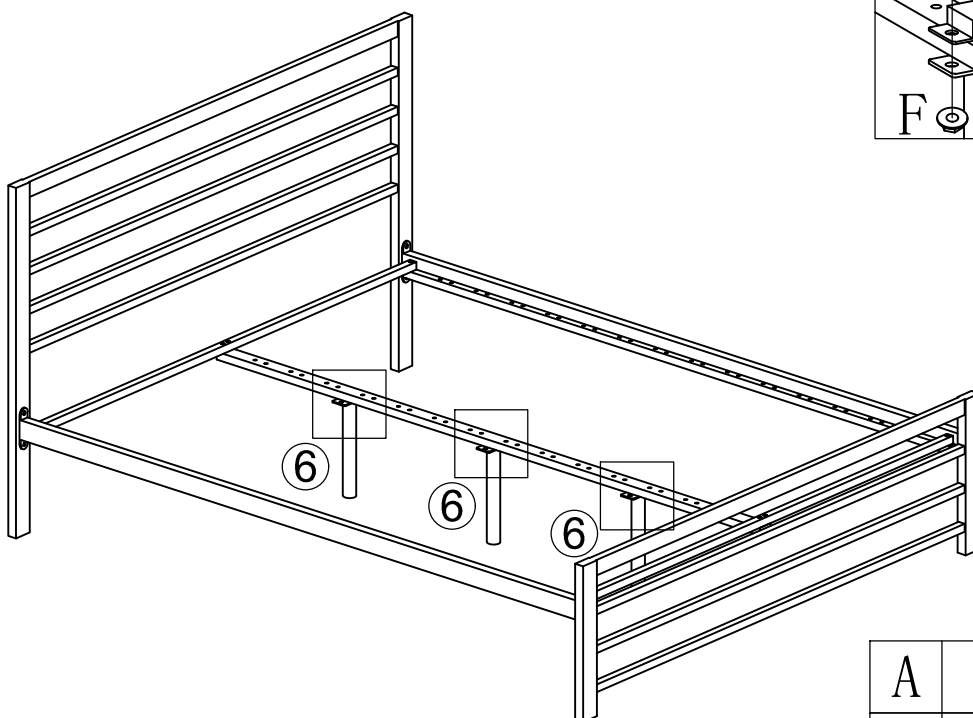
B		M6X35	x4
D		M6	x4
E			x4





3



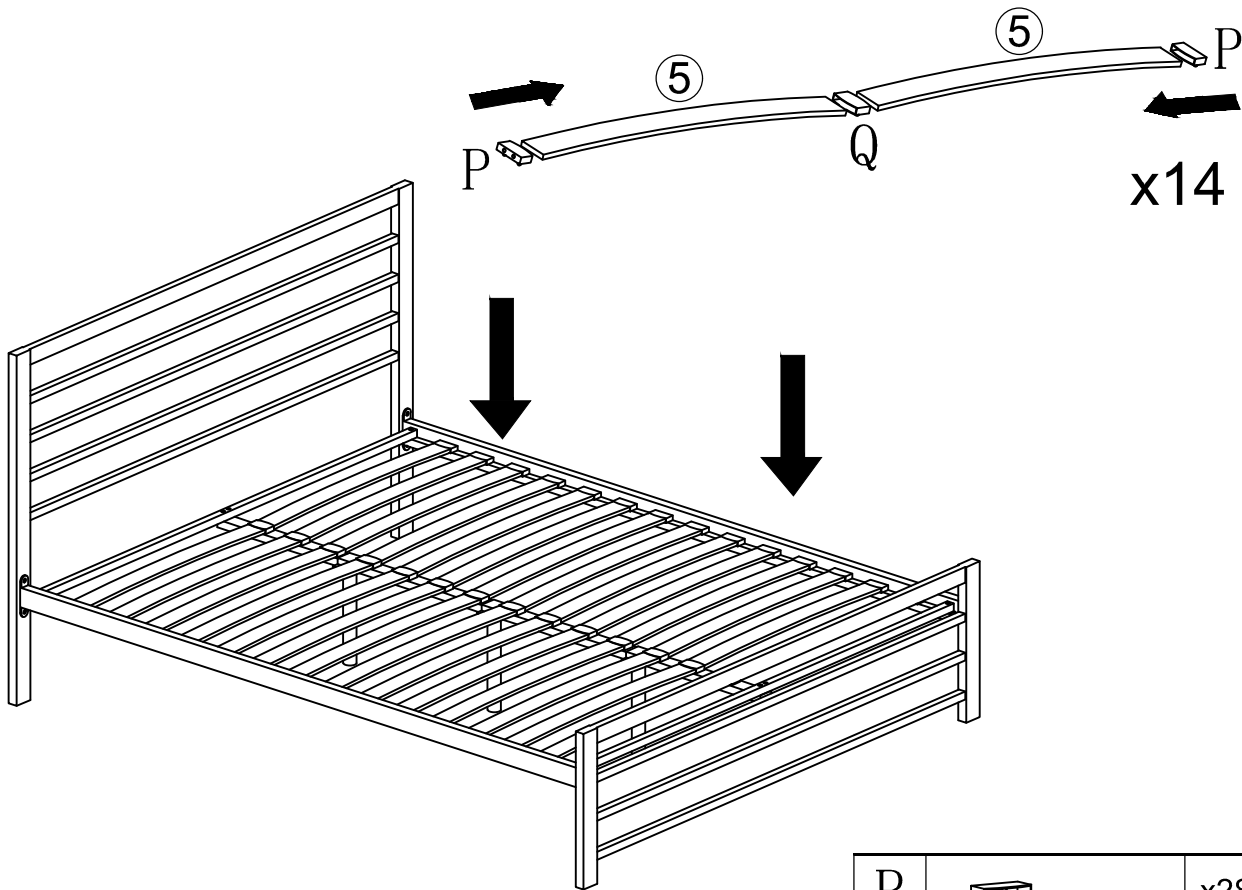
B		M6X35	x4
D		M6	x4
E			x4



4



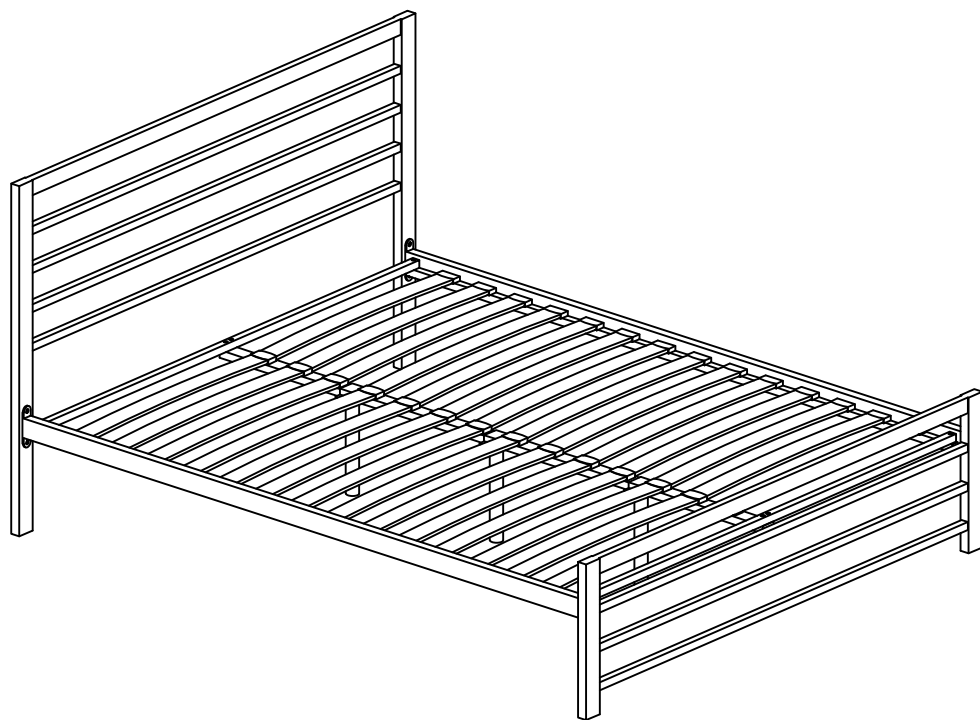
A		M6X20	x6
E			x6
F		M6	x6
G			x3

5



P		x28
Q		x14

6



CAUTION:  
ALWAYS LIFT YOUR BED WHEN MOVING/RELOCATING.  
DO NOT DRAG. DRAGGING CAN CAUSE DAMAGE TO  
THE BED.

## PRODUCT CARE:

### FURNITURE / BED

1. When assembling your bed please ensure that you have checked the contents for all relevant parts.
2. When tightening bolts make sure that they are fully tightened but not forced.
3. When moving your fully assembled bed you must first remove the mattress and lift the frame into position, take care when lifting and always have two people handling the bed. PLEASE DO NOT DRAG THE BED as this will cause damage to the rail.
4. It is advisable to use approved cleaning products when cleaning the furniture and bed frame as certain chemical based cleaners could have an adverse effect on the bed finish.